

**Lock
&
Lock**



ALL-ROUND LED-LUMINAIRE

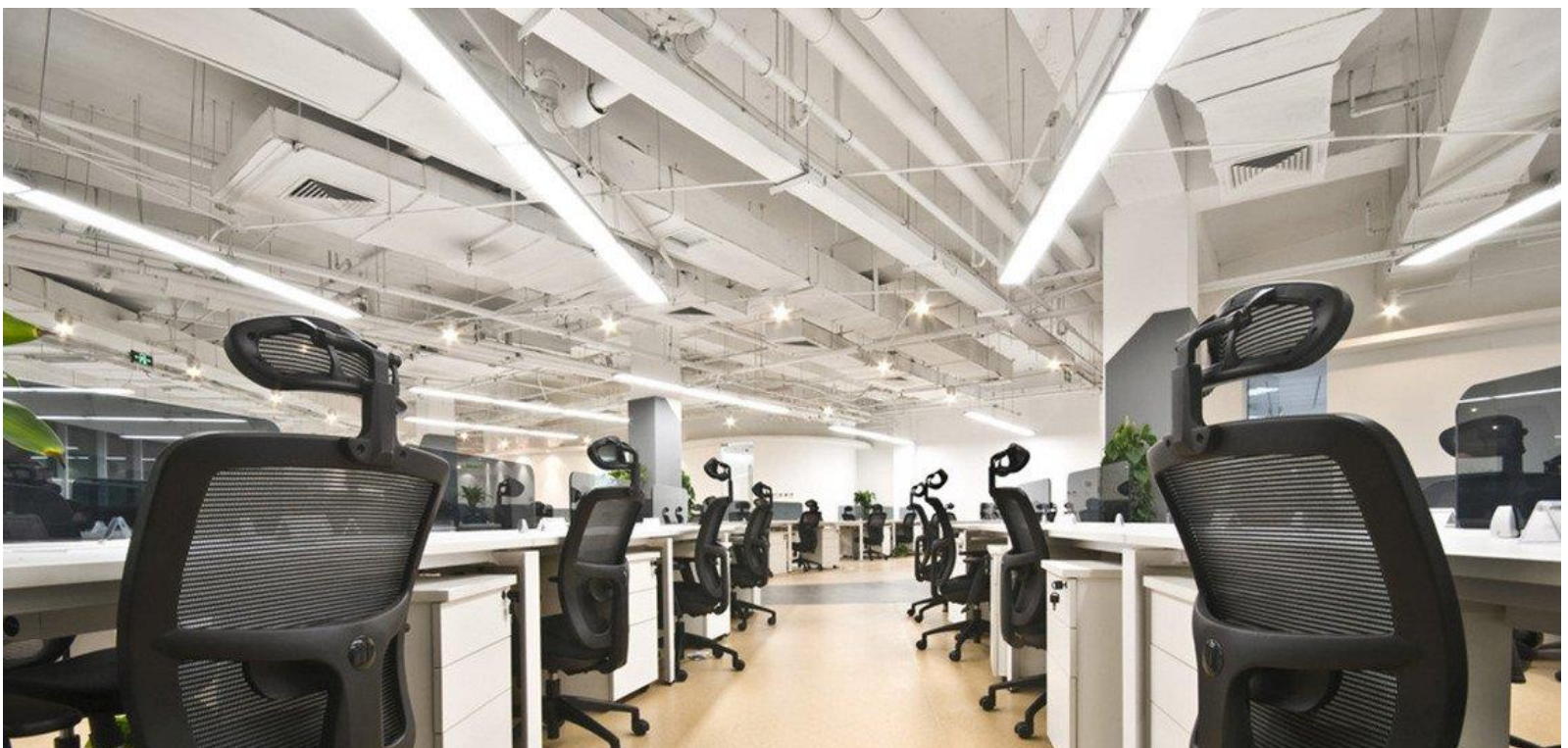
End-cap with buckle design in Performance Series. Lock&Lock has ready throughwiring and connectors on both sides. This reduces the installation costs. The luminaire is equipped with a high quality driver from Osram that gives a high performance and long lifetime. Dimmable function, dali, 3XL, and 5x2.5mm² cables as option.

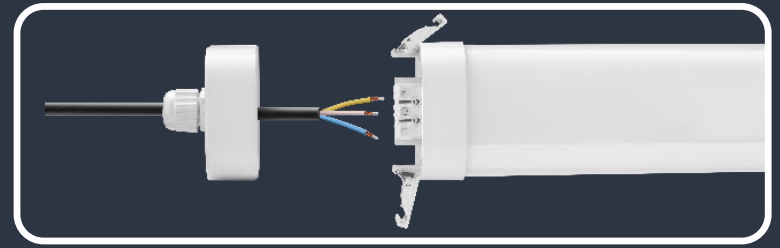
A++

OSRAM
Driver



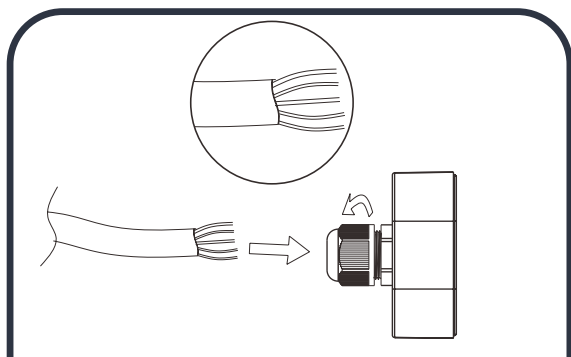
130LM/W



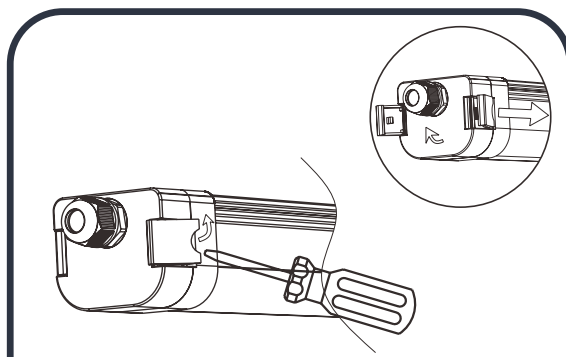


Easily opened and easy rewiring

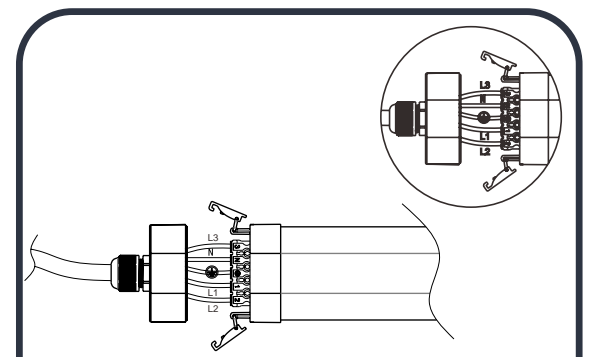
End cap with ready connectors



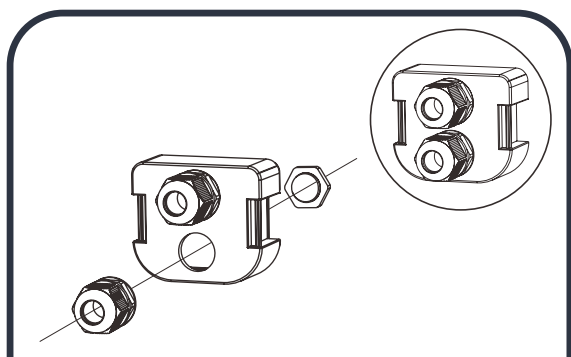
1,5mm² cable



Easily open

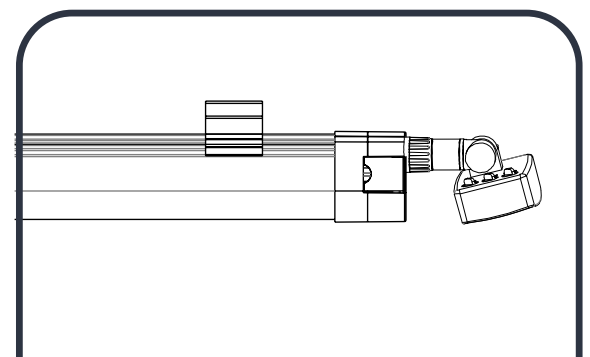


L1 & L2 & L3

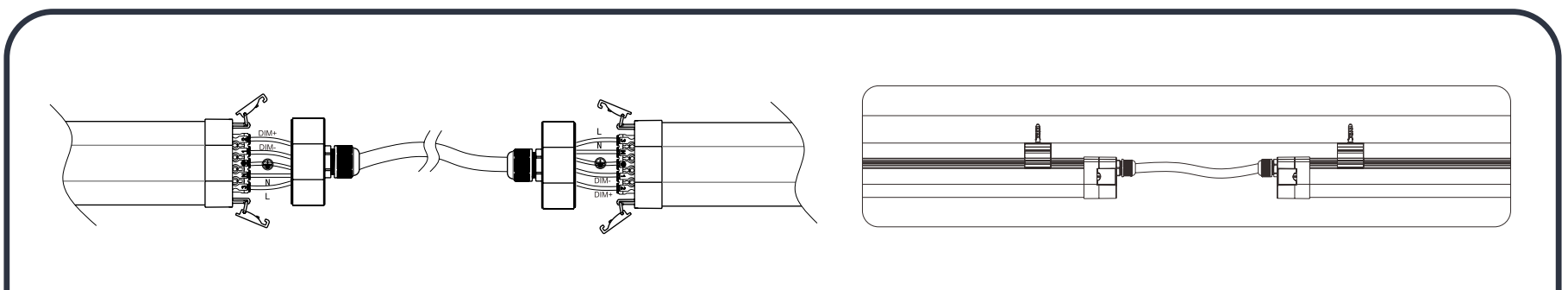


Two cables extension

Lock & Lock



Sensor



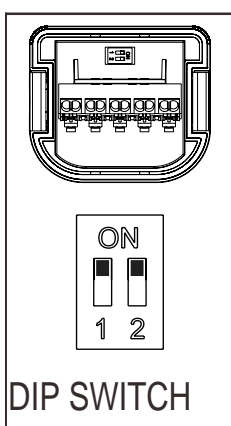
Linkable



LM 79

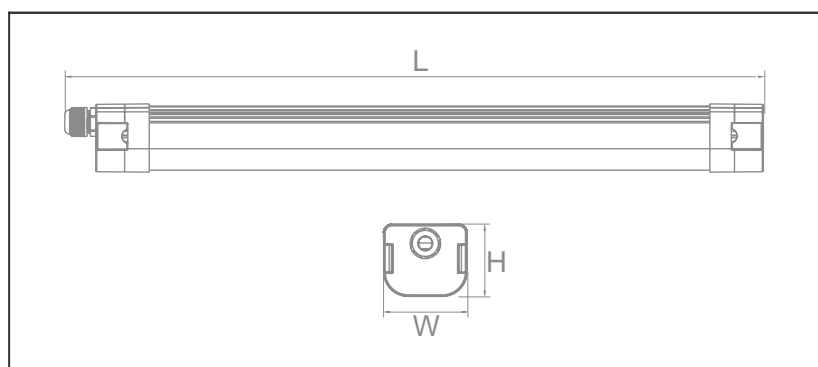
LM 80

TM 21



Features

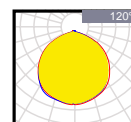
- Housing: Plastic With Aluminum Inside
- Thermal Conductivity: 226 W/m-K
- Led: Bridgelux
- CRI: Ra>80
- SDCM: <6
- Power Factor: >0.95
- THD: <15
- Driver: Osram
- Driver Efficiency: >90%
- Protection: OTP, OCP, OVP, SCP
- Surge Protection: 2KV
- Waterproof: IP65
- Impact Test: IK08
- Electrical: 220-240V, 50/60Hz
- Operating Temperature: -20~40 °C
- TM21: L80B10>50,000H
- Lifetime: 50,000H



Additional features that can be ordered

ZigBee · PWM · DALI · 0/1~10V · Micro-wave sensor

Optical options:



Model	Watt	Voltage	Lumen	CRI	IP	Dimension
TP020LE2F-BO	20W	220~240V	2600LM	>80	IP65	L659*W74*H64MM
TP040LE4F-BO	40W	220~240V	5200LM	>80	IP65	L1221*W74*H64MM
TP060LE5F-BO	60W	220~240V	7800LM	>80	IP65	L1502*W74*H64MM